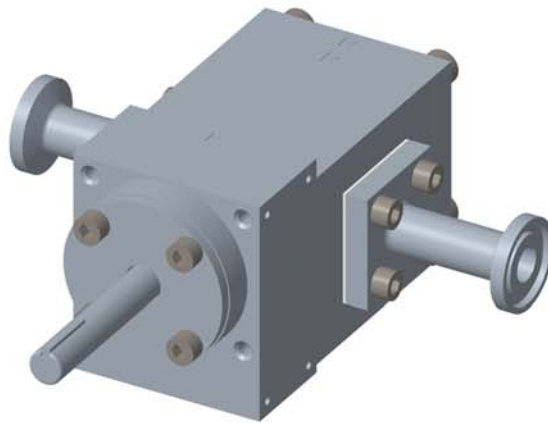




The Northern® NPC Series was born as a result of the Slot Die Coating industry's need for a precise and pulse free metering pump. Special gear design, combined with easy adaptability to flow changes, allow coating systems to deliver consistent coating thickness over a variety of mediums. This pump can be disassembled and cleaned in a matter of minutes, with a few simple hand tools.

Northern® NPC series pumps are currently used for the coating of medical devices, pharmaceuticals, batteries, adhesives, and many more industrial coating applications.

Two Body Sizes with three capacities each allows total system flexibility



Specifications

- Flow: 0.5, 1, 3, 5, 10, 15 cc/rev
- Max Pressure: 100 PSI
- Max Temperature: 150F
- Max Speed: 250 RPM
- Inlet / Outlet: 3/8" & 5/8"
- Flows (LPM & Max RPM): 0.13, 0.25, 0.75, 1.25, 2.5, 3.75

Materials of Construction

- Pump Body: 316 Stainless Steel
- Gears: 17-4 Stainless Steel
- Bearing Inserts: Glass Filled PTFE

Options

- Seal: Lip Seal & Packing
- Inlet / Outlet Options: NPT, Sanitary Flanges, Custom apadters availalbe.

NPC Series

Pulse Free Flow

Metering Precision

Fast and Complete
Breakdown, Cleaning
and Reassembly

Total Rebuildability

Extensive Chemical
Compatibility

Heavy Duty

Phone: 800-366-1410

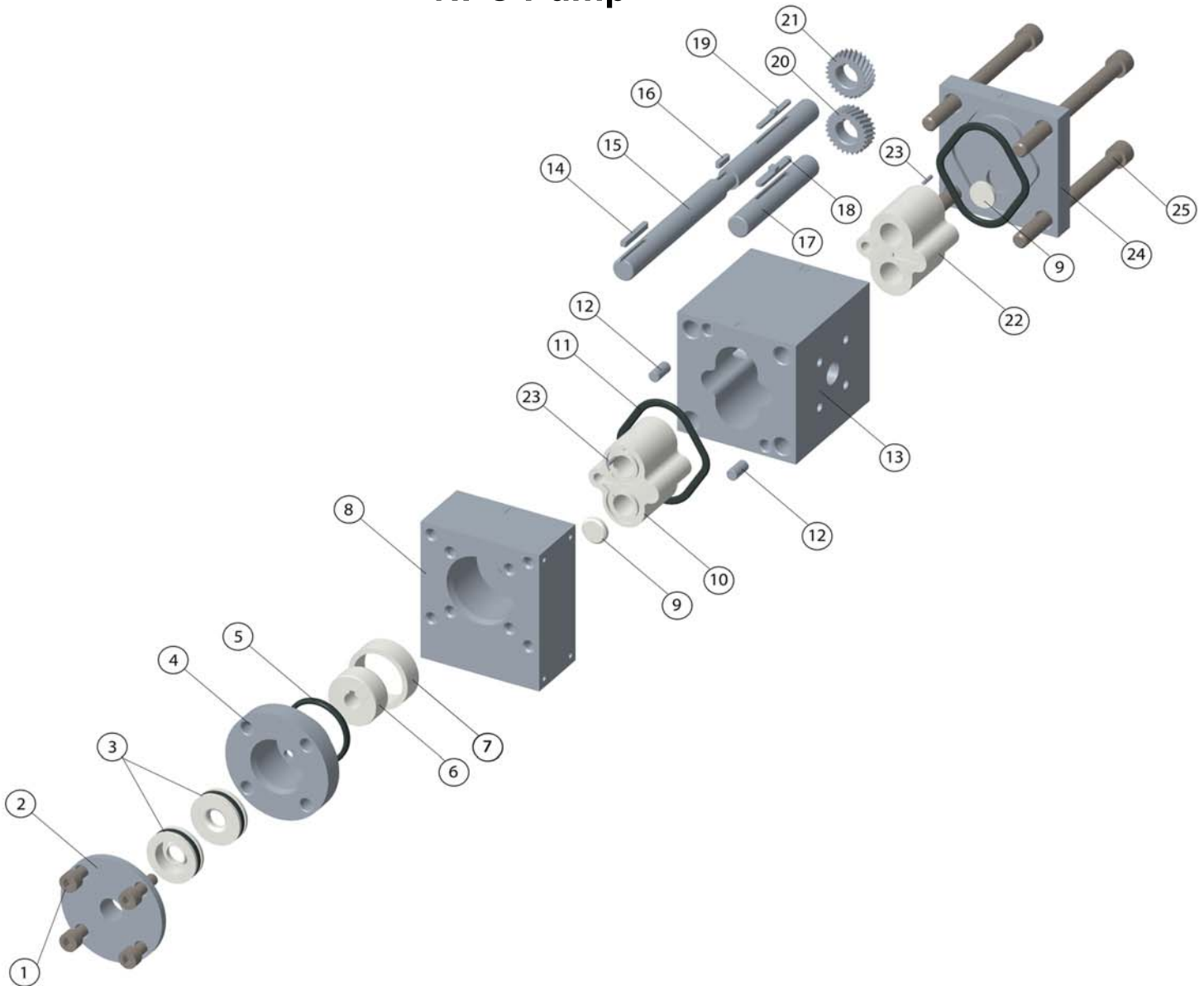
www.northern-pump.com

E-mail:
info@northern-pumps.com

Office:
340 W Benson Aveune
Grantsburg WI 54840

Fax: 715-463-5174

NPC Pump



Item	Description	Qty.	Item	Description	Qty.
1	Cap Screw	4	13	Cylinder	1
2	Seal Retainer	1	14	Drive Shaft End Key	1
3	Lip Seal	2	15	Drive Shaft	1
4	Seal Housing	1	16	Thrust Washer Key	1
5	O-Ring	1	17	Driven Shaft	1
6	Thrust Washer Set	2	18	Driven Shaft Gear Key	1
7	Thrust Washer Retaining Ring	1	19	Drive Shaft Gear Key	1
8	Seal Adapter Plate	1	20	Driven Gear, RH Gear	1
9	Thrust Disk	2	21	Drive Gear, LH Gear	1
10	Front Bearing Insert	1	22	Rear Bearing Insert	1
11	O-Ring	2	23	Bearing Insert Dowel Pin	2
12	Dowel Pin	2	24	End Plate	1
			25	Cap Screw	4