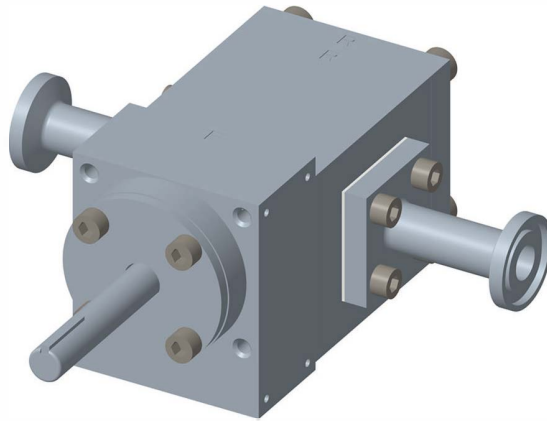




The Northern® NPC Series was born as a result of the Slot Die Coating industry's need for a precise and pulse free metering pump. Special gear design, combined with easy adaptability to flow changes, allow coating systems to deliver consistent coating thickness over a variety of mediums. This pump can be disassembled and cleaned in a matter of minutes, with a few simple hand tools.

Northern® NPC series pumps are currently used for the coating of medical devices, pharmaceuticals, batteries, adhesives, and many more industrial coating applications.

**Two Body Sizes with three capacities each allows total system flexibility**



## Specifications

- Flow: 0.5, 1, 3, 5, 10, 15 cc/rev
- Max Pressure: 100 PSI
- Max Temperature: 150F
- Max Speed: 250 RPM
- Inlet / Outlet: 3/8" & 5/8"
- Flows (LPM & Max RPM): 0.13, 0.25, 0.75, 1.25, 2.5, 3.75

## Materials of Construction

- Pump Body: 316 Stainless Steel
- Gears: 17-4 Stainless Steel
- Bearing Inserts: Glass Filled PTFE

## Options

- Seal: Lip Seal & Packing
- Inlet / Outlet Options: NPT, Sanitary Flanges, Custom adapters available.

# NPC Series

Pulse Free Flow

Metering Precision

Fast and Complete  
Breakdown, Cleaning  
and Reassembly

Total Rebuildability

Extensive Chemical  
Compatibility

Heavy Duty

**Phone: 800-366-1410**

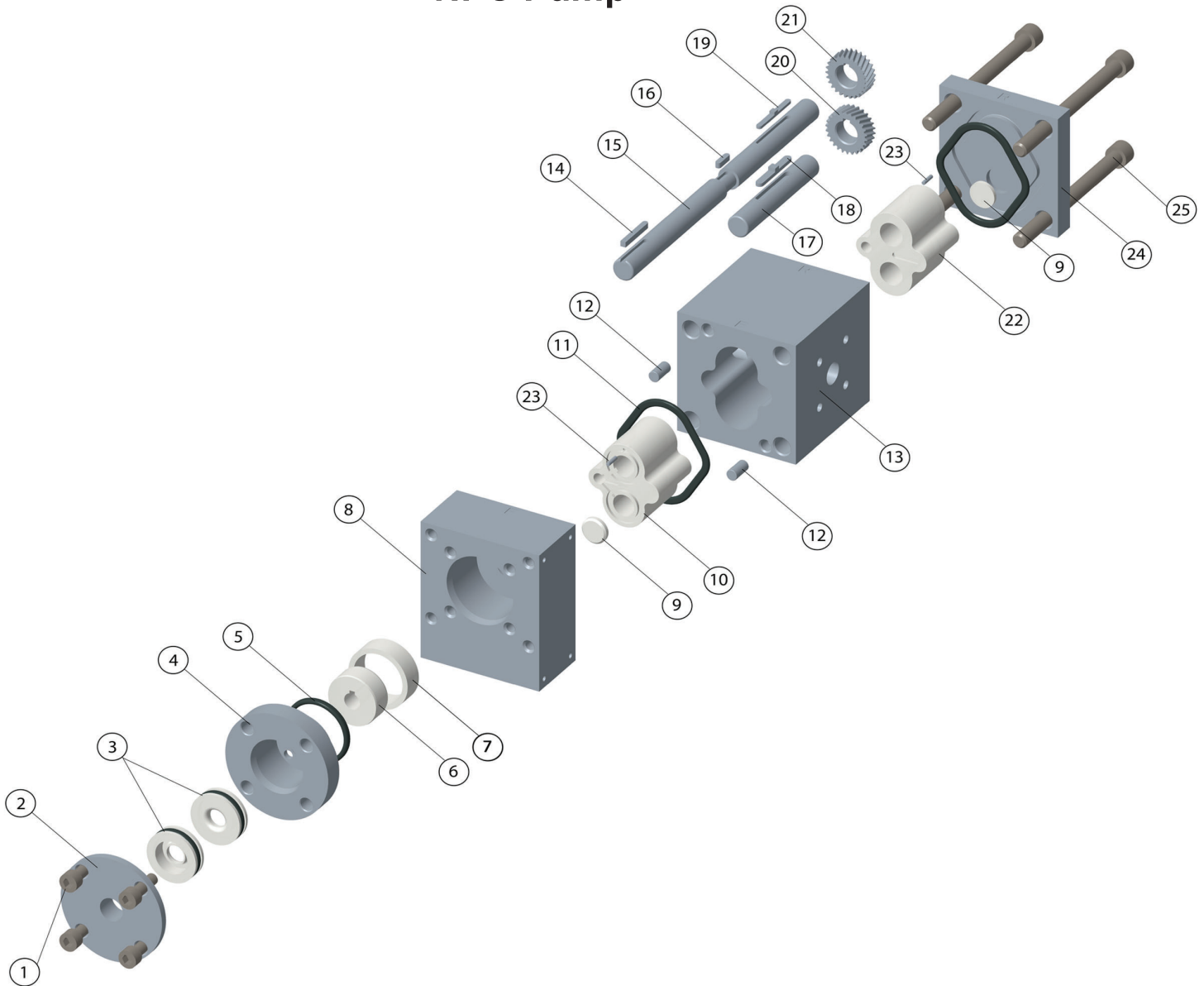
[www.northern-pump.com](http://www.northern-pump.com)

E-mail:  
[info@northern-pumps.com](mailto:info@northern-pumps.com)

Office:  
340 W Benson Aveune  
Grantsburg WI 54840

Fax: 715-463-5174

# NPC Pump



Item	Description	Qty.	Item	Description	Qty.
1	Cap Screw	4	13	Cylinder	1
2	Seal Retainer	1	14	Drive Shaft End Key	1
3	Lip Seal	2	15	Drive Shaft	1
4	Seal Housing	1	16	Thrust Washer Key	1
5	O-Ring	1	17	Driven Shaft	1
6	Thrust Washer Set	2	18	Driven Shaft Gear Key	1
7	Thrust Washer Retaining Ring	1	19	Drive Shaft Gear Key	1
8	Seal Adapter Plate	1	20	Driven Gear, RH Gear	1
9	Thrust Disk	2	21	Drive Gear, LH Gear	1
10	Front Bearing Insert	1	22	Rear Bearing Insert	1
11	O-Ring	2	23	Bearing Insert Dowel Pin	2
12	Dowel Pin	2	24	End Plate	1
			25	Cap Screw	4