



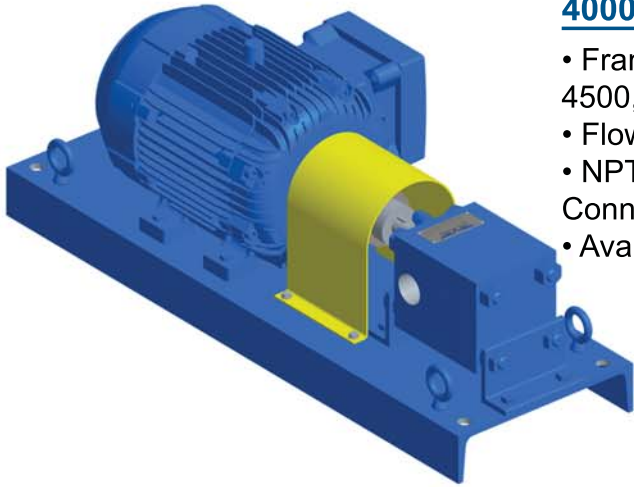
# HEAVY DUTY GEAR PUMPS

EXPERIENCE

RELIABILITY

SAFETY

# Northern Pump Series

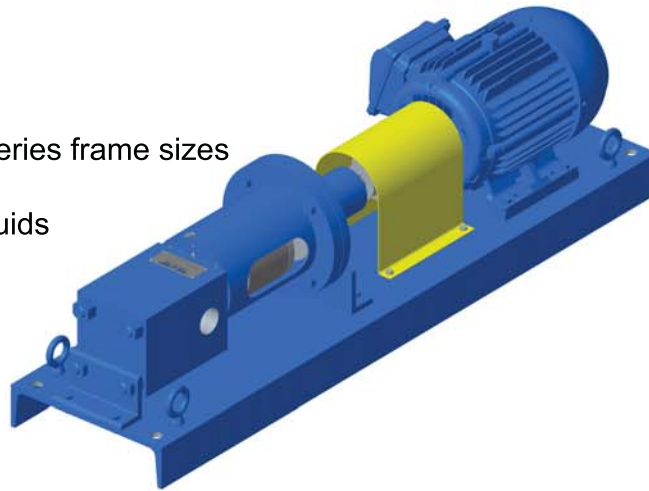


## 4000 Series

- Frame Sizes Available: 4300, 4400, 4500, 4600, 4800, 4900, 4902
- Flow Rates up to 404 GPM
- NPT, Flanged, and Custom Connections
- Available in Stainless Steel

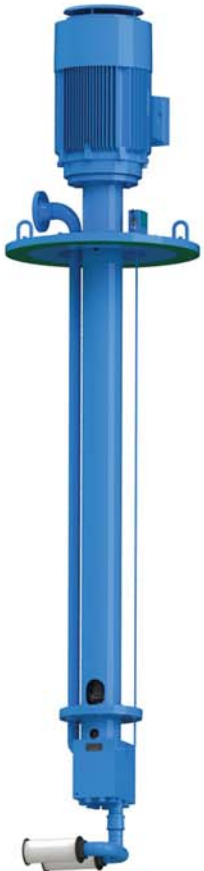
## Mag Drive Series

- Available in all 4000 series frame sizes
- For Hazardous Fluids
- High Temperature Liquids
- Remote Locations



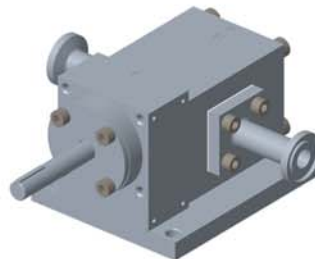
## Vertical Pump Series

- Available in all 4000 series frame sizes
- Single Unit simplifies the system
- Single Unit Reduces Cost
- Discharge Pressure up to 1440 PSI
- Environmentally friendly
- Eliminates the need for accessory components



## NPC Series

- Metering Precision
- Fast & Complete breakdown
- Total Rebuildability
- Available in two frame sizes: 0.5, 1, 3, 5, 10, 15 CC/Rev
- Extensive Chemical Compatibility
- NPT, Sanitary Flange, and Custom adapters available



**HEAVY DUTY  
GEAR PUMPS**  
Factory-Engineered  
for Your Application

Innovative  
Engineering

Superior Quality

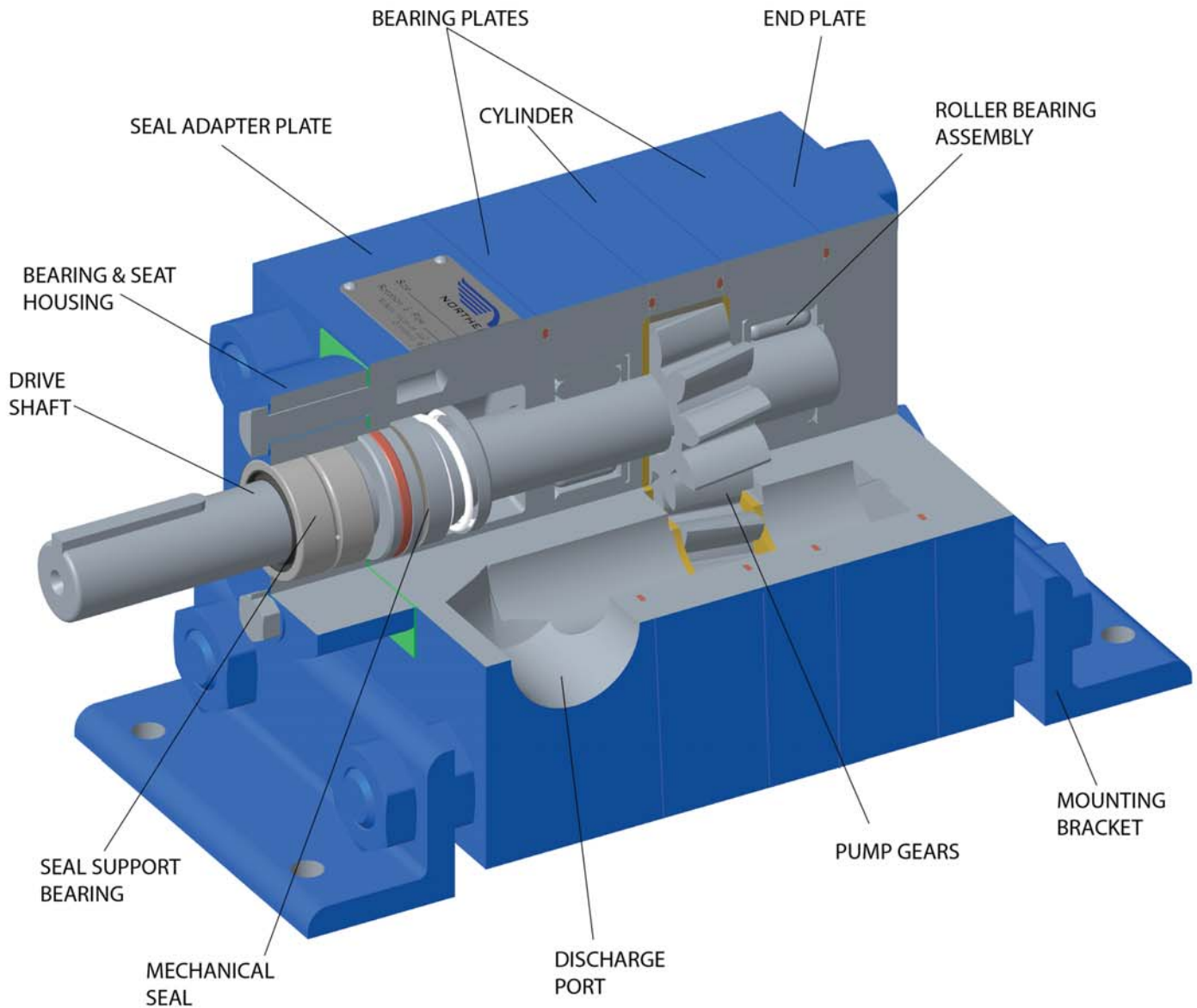
Heavy Duty

Viscosity Range:  
0.5 to 1,500,000 cP

Temp. Range:  
-65°F to 850°F

Inlet Capacity:  
25" HG to 1200 PSIG

# 4000 Series



Pump Series	Max Flow (GPM)	Max Speed (RPM)	Max $\Delta P$ (PSI)
4300	5	3550	Up to 2000 PSI
4400	17	3550	
4500	27	3550	
4600	83	3550	
4800	146	1750	
4900	221	1750	
4902	404	1750	

\*Flow, RPM and Differential Pressure are highly dependent on each specific application.



# NORTHERN PUMP

Manufacturing the Highest Quality Pumps for over 85 years



**Phone: 800 - 366 - 1410**

[www.northern-pump.com](http://www.northern-pump.com)

E-mail: [info@northern-pump.com](mailto:info@northern-pump.com)

340 W Benson Avenue, Grantsburg WI 54840

Fax: 715-463-5174