



# COATING PULSE FREE PUMPS



HEAVY DUTY  
GEAR PUMPS

EXPERIENCE

RELIABILITY

SAFETY



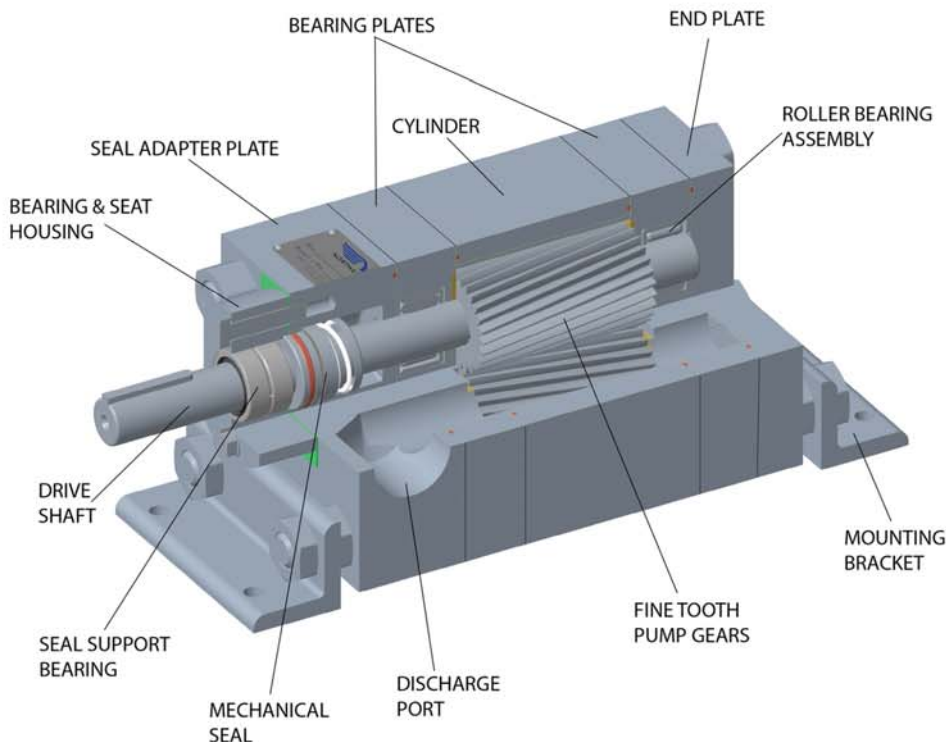


The Northern® NPC Series was born as a result of the Slot Die Coating industry's need for a precise and pulse free metering pump. Special gear design, combined with easy adaptability to flow changes, allow coating systems to deliver consistent coating thickness over a variety of mediums. This pump can be disassembled and cleaned in a matter of minutes, with a few simple hand tools.

Northern® NPC and 4000 series pumps are currently used for the coating of medical devices, pharmaceuticals, batteries, adhesives, and many more industrial coating applications.

### 4000 Series Specifications:

- Frame Sizes Available: 4300, 4400, 4500, 4600, 4800, 4900, 4902
- Flow Rates up to 404 GPM
- Viscosity Range: 0.5 to 1,500,000cP
- Temperature Range: -65°F to 850°F
- Inlet Capacity: 28" HG to 1200 PSIG
- NPT, Flanged, and Custom Connections
- Available in Carbon Steel or Stainless Steel



Pump Series	Max Flow (GPM)	Max Speed (RPM)	Max ΔP (PSI)
4300	5	3550	Up to 2000 PSI
4400	17	3550	
4500	27	3550	
4600	83	3550	

\*Flow, RPM, and Differential Pressure are highly dependent on each specific application

Innovative  
Engineering

Superior Quality

Heavy Duty

Phone: 800-366-1410

[www.northern-pump.com](http://www.northern-pump.com)

E-mail:  
[info@northern-pumps.com](mailto:info@northern-pumps.com)

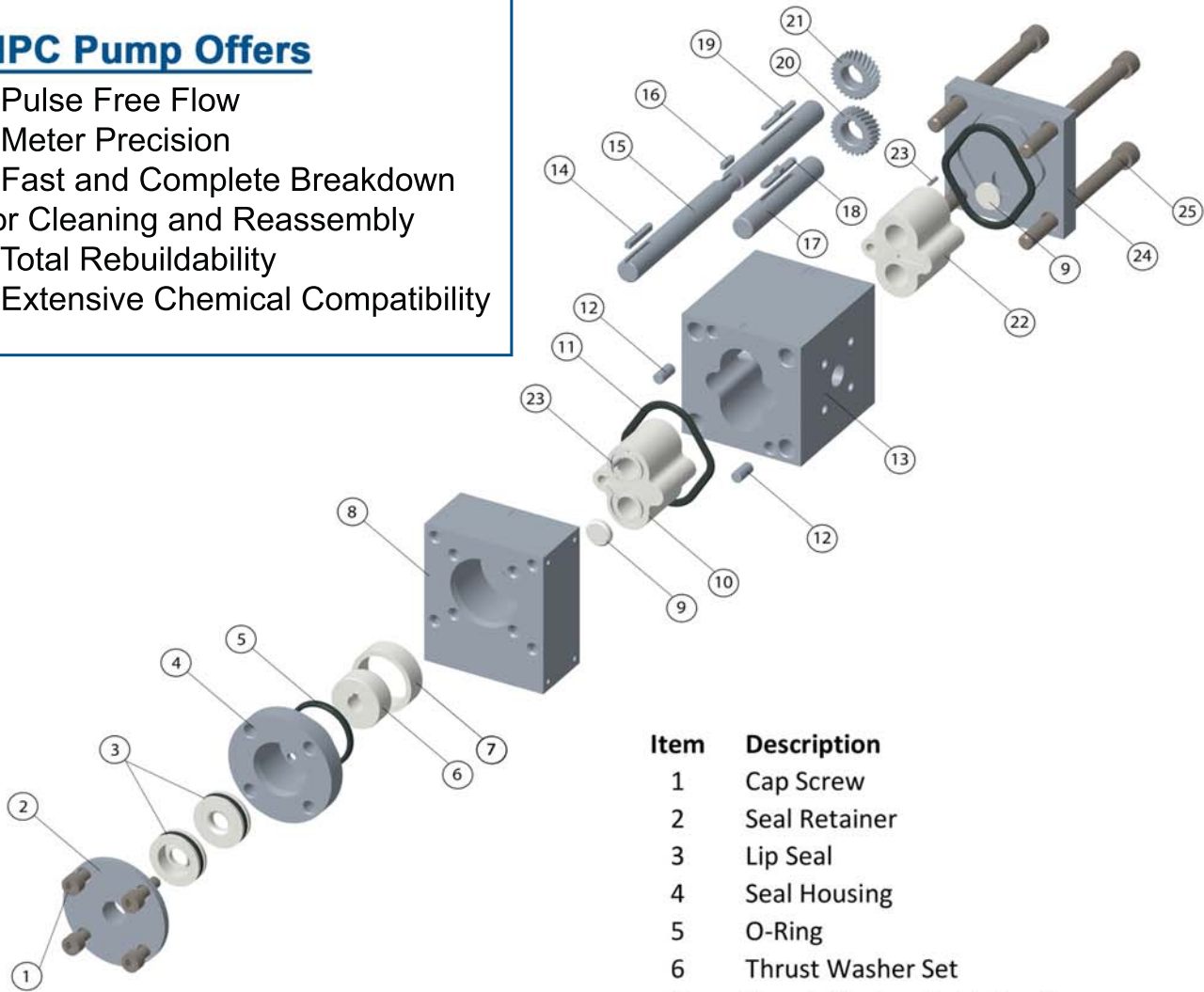
Office:  
340 W Benson Aveune  
Grantsburg WI 54840

Fax: 715-463-5174

Contact us with your application today!

## NPC Pump Offers

- Pulse Free Flow
- Meter Precision
- Fast and Complete Breakdown for Cleaning and Reassembly
- Total Rebuildability
- Extensive Chemical Compatibility



Item	Description	Qty.
1	Cap Screw	4
2	Seal Retainer	1
3	Lip Seal	2
4	Seal Housing	1
5	O-Ring	1
6	Thrust Washer Set	2
7	Thrust Washer Retaining Ring	1
8	Seal Adapter Plate	1
9	Thrust Disk	2
10	Front Bearing Insert	1
11	O-Ring	2
12	Dowel Pin	2
13	Cylinder	1
14	Drive Shaft End Key	1
15	Drive Shaft	1
16	Thrust Washer Key	1
17	Driven Shaft	1
18	Driven Shaft Gear Key	1
19	Drive Shaft Gear Key	1
20	Driven Gear, RH Gear	1
21	Drive Gear, LH Gear	1
22	Rear Bearing Insert	1
23	Bearing Insert Dowel Pin	2
24	End Plate	1
25	Cap Screw	4

## Specifications

- Flow: 0.5, 1, 3, 5, 10, 15 cc/rev
- Max Pressure: 100 PSI
- Max Temperature: 150F
- Max Speed: 250 RPM
- Inlet / Outlet: 3/8" & 5/8"
- Flows (LPM & Max RPM): 0.13, 0.25, 0.75, 1.25, 2.5, 3.75

## Materials of Construction

- Pump Body: 316 Stainless Steel
- Gears: 17-4 Stainless Steel
- Bearing Inserts: Glass Filled PTFE

## Options

- Seal: Lip Seal & Packing
- Inlet / Outlet Options: NPT, Sanitary Flanges, Custom adapters available.

**Two Body Sizes with three capacities each allows total system flexibility**



# NORTHERN PUMP

Manufacturing the Highest Quality Pumps for over 85 years



**Phone: 800 - 366 - 1410**

[www.northern-pump.com](http://www.northern-pump.com)

E-mail: [info@northern-pump.com](mailto:info@northern-pump.com)

340 W Benson Avenue, Grantsburg WI 54840

Fax: 715-463-5174