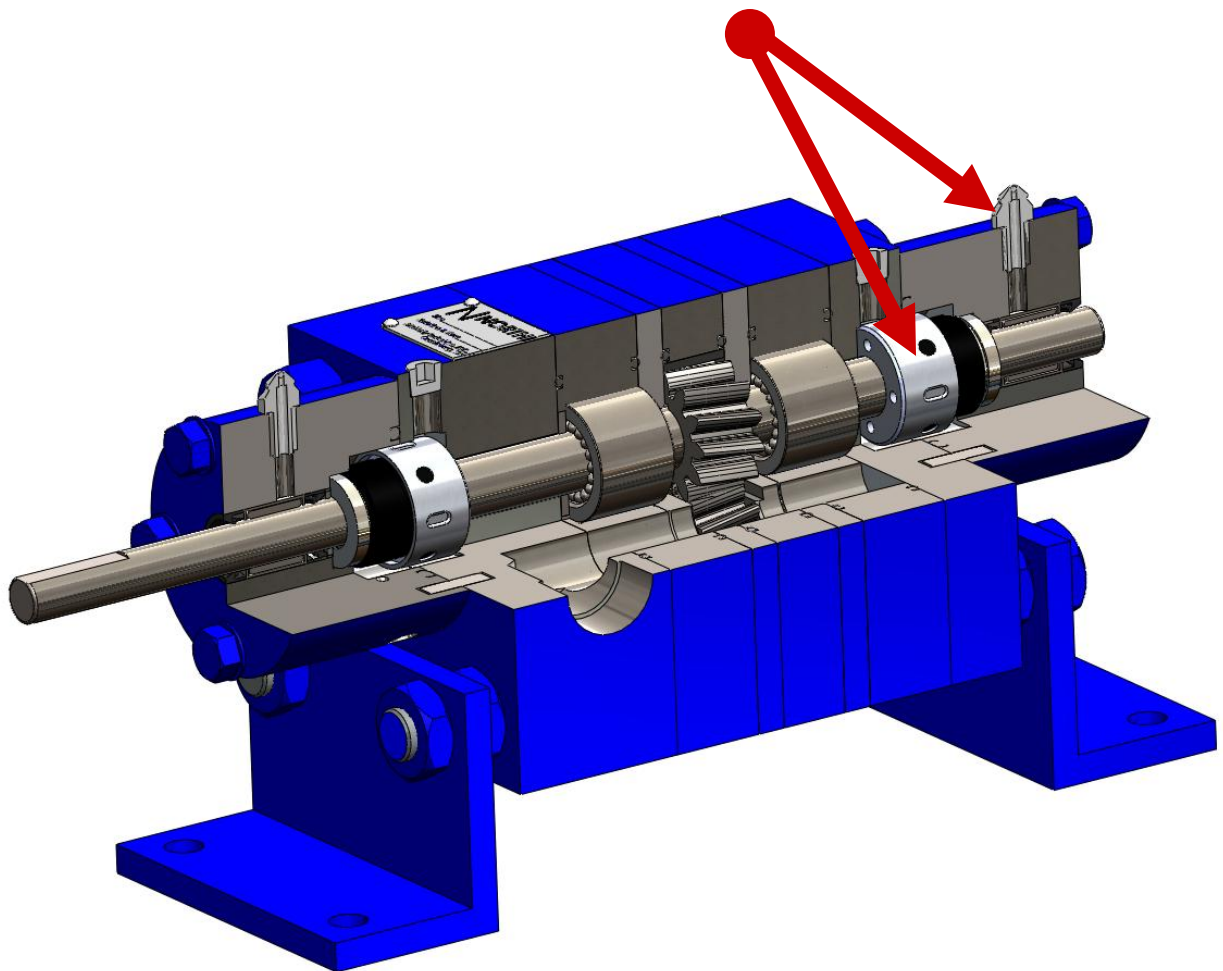


HYDRAULIC BALANCE OPTION

***High Suction Pressures require
balancing of the drive shaft.***

***A second mechanical seal, seal housing, and seal
adapter plate, and support bearing is added to
the rear of the pump***



***This design dramatically extends the
life cycle of a high pressure pump***