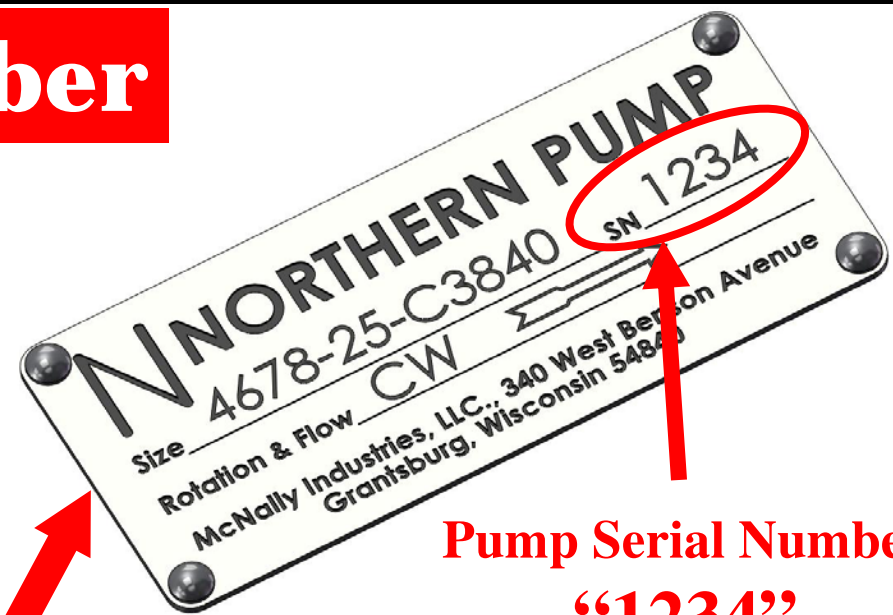
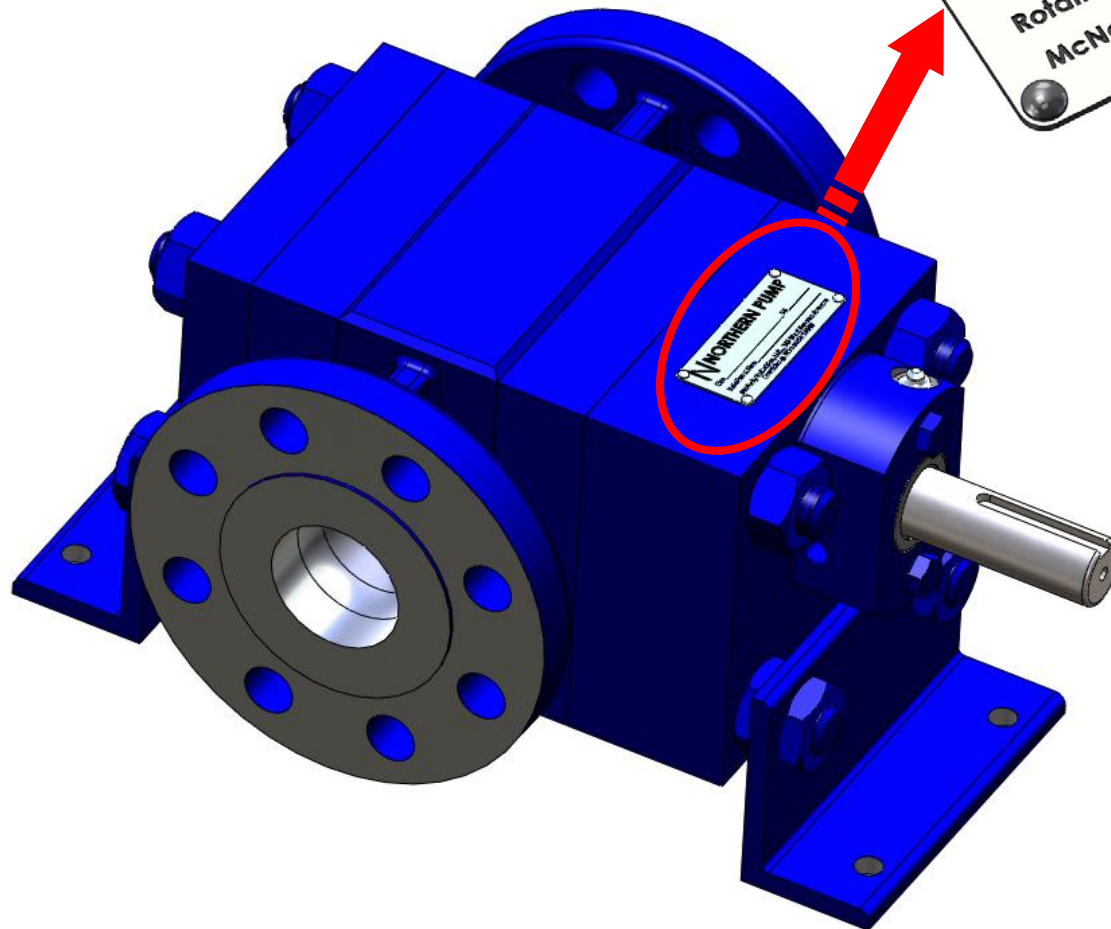


# Pump Serial Number



**Pump Serial Number**  
**“1234”**  
3 or 4 numbers

 **Northern® Pump**  
Division of McNally Industries  
**(800) 366-1410**  
[www.northern-pump.com](http://www.northern-pump.com)